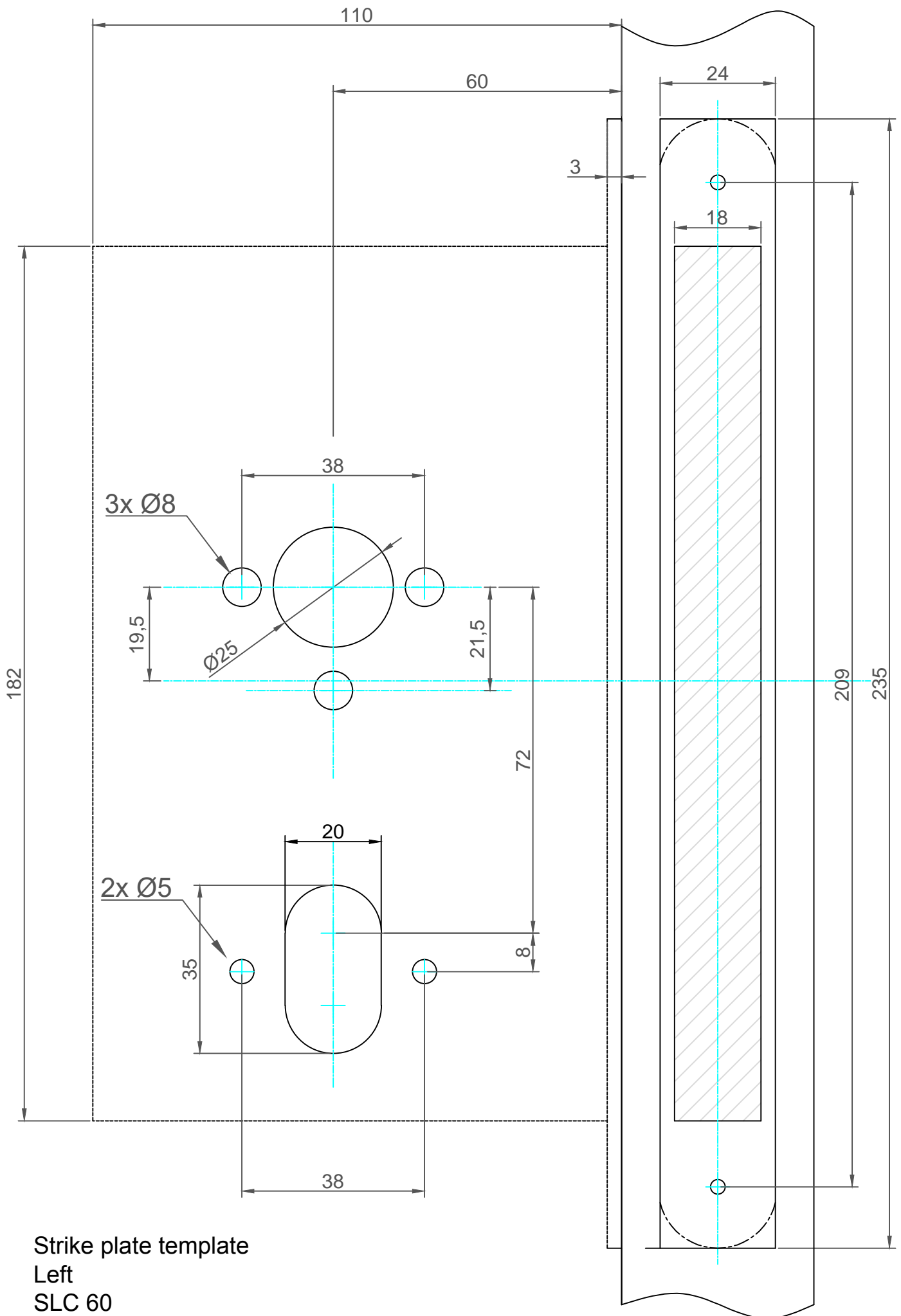


Strike plate template
 Right
 SLC 60



Strike plate template
 Left
 SLC 60